

WRT4500 SERIES

 CUSTOM SERIES WOOD BURNING FIREPLACES

Superior[™]
FIREPLACES
Our name is our promise.



TRADITIONAL

“Captivating” is the only way to describe these massive wood burners. Designed for large interior applications, the WRT4500 Custom Series fireplaces feature a 30” tall opening and beautiful refractory panels for a realistic appearance.



FEATURED WRT4542 fireplace with White Herringbone Refractory Panels

EXCLUSIVE FEATURES

- 🔥 Available in 36", 42" and 50" models
- 🔥 Massive smoke dome for reliable operation
- 🔥 Fully insulated firebox for increased performance in colder climates
- 🔥 Refractory panels in a variety of colors and patterns with integrated ash lip
- 🔥 Heavy duty cast iron log grate with rugged forged andirons
- 🔥 Hidden ash dump with pull ring
- 🔥 Easy access damper control
- 🔥 Includes mesh fire screens
- 🔥 Dual (left hand/right hand) outside air kits available for maximum performance
- 🔥 Durable textured powder coat finish
- 🔥 Uses IHP 12 DM (1700) double wall air cooled wood burning chimney
- 🔥 Uses IHP 12 HT (2100) heavy gauge double wall air cooled wood burning chimney, recommended for cold climates (required for Canada)
- 🔥 20 year limited warranty



WRT4536 fireplace and its large heavy duty log grate and rugged forged andirons

INTERIOR

(Required)

Choose from Red or White refractory panels in stacked or herringbone patterns.



Red Stacked



Red Herringbone



White Stacked



White Herringbone

GLASS DOORS

(Optional)



Platinum



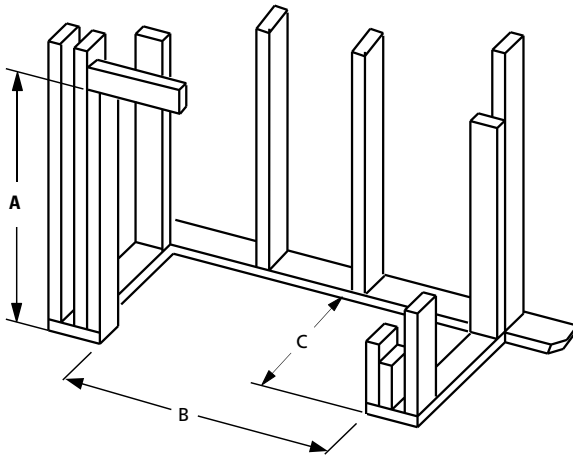
Brushed Brass



Black

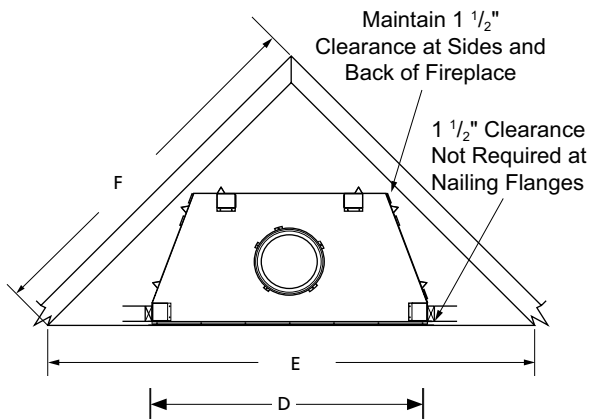
Tempered bi-fold glass doors are expertly crafted and finished in three options.

FLAT WALL FRAMING SPECIFICATIONS



	WRT4536	WRT4542	WRT4550
A	67-1/8"	67-1/8"	67-1/8"
B	45-1/4"	51-1/4"	59"
C	28-1/4"	30-1/8"	30-1/8"

CORNER FRAMING SPECIFICATIONS



	WRT4536	WRT4542	WRT4550
D	45-1/4"	51-1/4"	59-1/4"
E	86-1/2"	92"	100"
F	61"	65"	71"

On the Cover: WRT4542 with red herringbone refractory panels

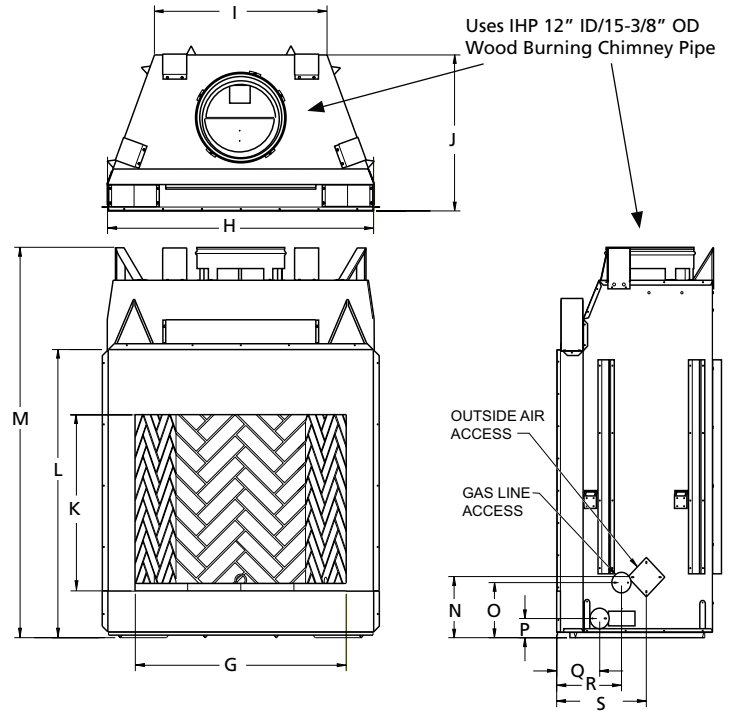
IMPORTANT NOTES:

As with any fireplace, this appliance is extremely hot during operation. Read and understand all operating instructions before using this appliance. For further information, consult your dealer.

Local conditions, such as elevation, wind, vent configuration and choice of fuel will affect overall appearance of the fire and heating performance. Performance can also vary with home design and insulation, climate, condition and type of fuel used, appliance location, burn rate, accessories chosen, chimney installation and how the appliance is operated.

Diagrams, illustrations and photographs are not to scale—consult installation instructions. Product designs, materials, dimensions, specifications, colors and prices are subject to change or discontinuance without notice.

APPLIANCE SPECIFICATIONS



	WRT4536	WRT4542	WRT4550
G	36"	42"	50"
H	45-1/8"	51-1/8"	59-1/8"
I	29"	30-1/2"	38-1/2"
J	26-5/8"	29"	29"
K	30"	30"	30"
L	49"	49"	49"
M	67"	67"	67"
N	10-1/2"	10-1/2"	10-1/2"
O	9-1/2"	9-1/2"	9-1/2"
P	3-1/2"	3-1/2"	3-1/2"
Q	7-1/4"	8-1/2"	8-1/2"
R	11"	13"	13"
S	15-1/4"	17"	17"



Approved for use with European Copper and Chimney Classics chimney tops, which improve performance and add an elegant touch.



© 2014 Innovative Hearth Products

785353M 07/14

Visit us online



SuperiorFireplaces.us.com

